

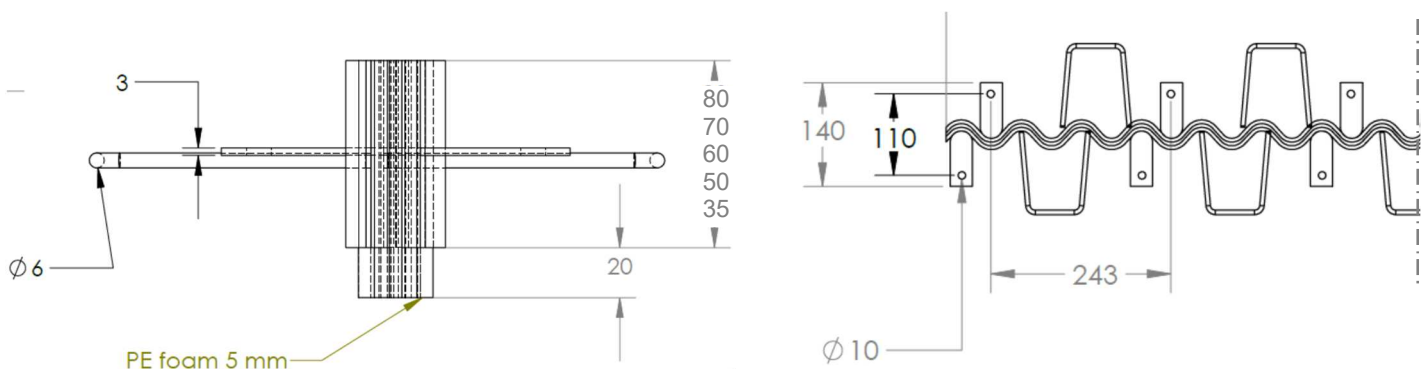
HC-Sinus Slide® Repair Joint

STEEL QUALITY	EN 10025 - S1235, cold drawn NBN A 24-302 - BE 500 TS
MATERIAL THICKNESS	2 x 5 mm
PROFILE LENGTHS	3,00 m (+/- 5 mm)
JOINT OPENNING	Optimal up to 15 mm
ANCHORAGE STUDS	3 mm flat rectangular bar for connecting of anchorage bolts, distance 243 mm + Ø6 mm U-shaped horizontal stirrups
VERSIONS	Black steel / galvanized / stainless Pre-opening with polyethylene foam 5 mm Optional, installation and levelling help available



Height [mm]	Weight [kg/m]	Weight [kg/pc]	Quantity [pcs./pal.]	Quantity [m/pal.]	Net weight per pal [kg]
35	4,31	12,93	70	210	905
50	5,66	16,99	70	210	1189
60	6,48	19,44	70	210	1361
70	7,57	22,70	70	210	1589
80	8,49	25,46	70	210	1782

Other heights and special solutions are possible upon request.



Document issued October 2019. Hengelhoef Concrete Joints nv. reserves the right to alter the products without notice.

©COPYRIGHT 2019 by Hengelhoef Concrete Joints nv.



HENGELHOEF
CONCRETE JOINTS

Hengelhoefstraat 158 Zone 1B, B-3600 Genk
T. +32(0)89 32 39 80 • F. +32(0)89 32 39 88
E. Info@hcjoints.be

www.hcjoints.be