

# HC-Sinus Slide®

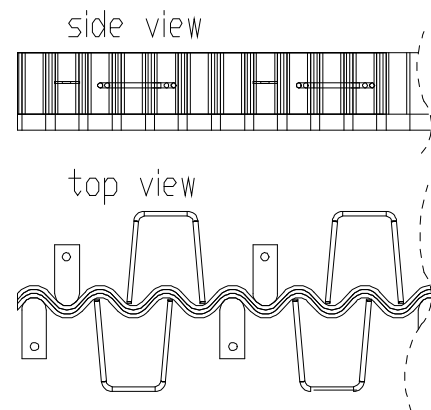
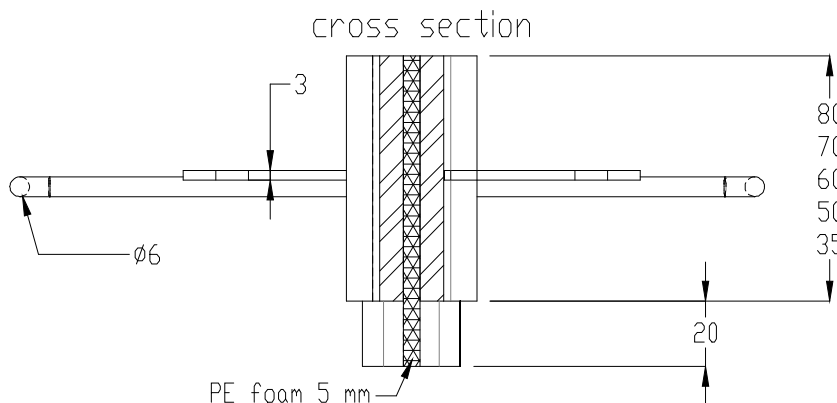
## Repair Joint



<b>STEEL QUALITY</b>	EN 10025 - S235, cold drawn NBN A 24-302 - BE 500 TS EN 10111:2008 - DD14
<b>MATERIAL THICKNESS</b>	2 x 5 mm (13/64")
<b>PROFILE LENGTHS</b>	2,60 m (+5 / -10 mm) (8.53 ft +13/64" / - 25/64")
<b>JOINT OPENNING</b>	Optimal up to 15 mm (19/32")
<b>ANCORAGE STUDS</b>	3 mm (1/8") flat rectangular bar for connecting of anchorage bolts, distance 243 mm (9 9/16") + Ø6 mm (15/64") U-shaped horizontal stirrups
<b>VERSIONS</b>	Black steel / galvanized / stainless Pre-opening with polyethylene foam 5 mm (13/64") Optional, installation and levelling help available

Height [mm] (inch)	Weight [kg/m] (lbs/ft)	Weight [kg/pc] (lbs/pc.)	Quantity [pcs./pal.]	Quantity [m/pal.] (ft/pal.)	Gross weight [kg/pal.] (lbs/pal.)
35 (1 3/8)	4,31 (2.90)	12,93 (28.51)	70	182 (597)	784 (1728)
50 (1 31/32)	5,66 (3.80)	16,99 (37.46)	70	182 (597)	1030 (2270)
60 (2 23/64)	6,48 (4.35)	19,44 (42.86)	70	182 (597)	1179 (2599)
70 (2 3/4)	7,57 (5.09)	22,70 (50.04)	70	182 (597)	1378 (3038)
80 (3 5/32)	8,49 (5.71)	25,46 (56.13)	70	182 (597)	1545 (3406)

Other heights and custom solutions are possible upon request.



Document issued September 2021. Hengelhoeof Concrete Joints nv. reserves the right to alter the products without notice.  
©COPYRIGHT 2021 by Hengelhoeof Concrete Joints nv.



**HENGELHOEF**  
**CONCRETE JOINTS**

Hengelhoeofstraat 158, Poort Genk 0420, B-3600 Genk  
T. +32 (0)89 32 39 80 · F. +32 (0)89 32 39 88  
E. info@hcjoints.be

[www.hcjoints.be](http://www.hcjoints.be)