

HC-Mini Omega expansion joints

Technical sheet

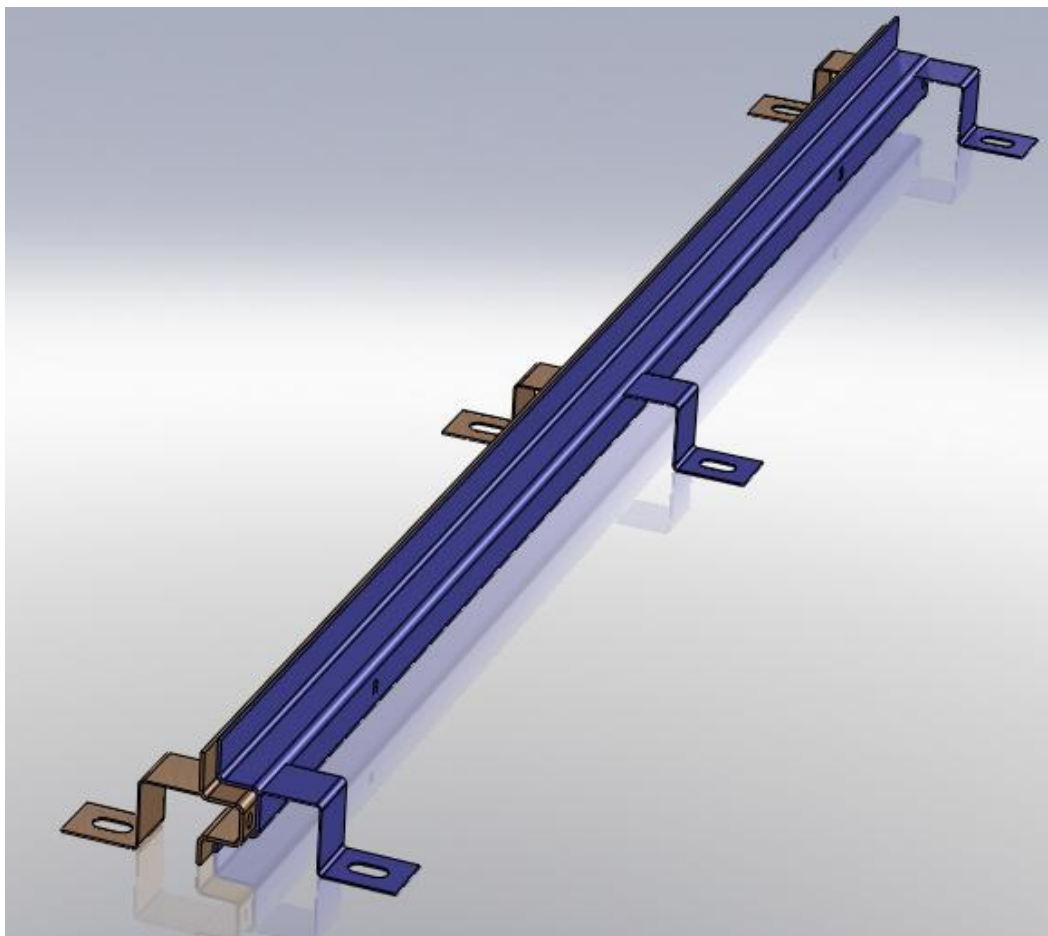
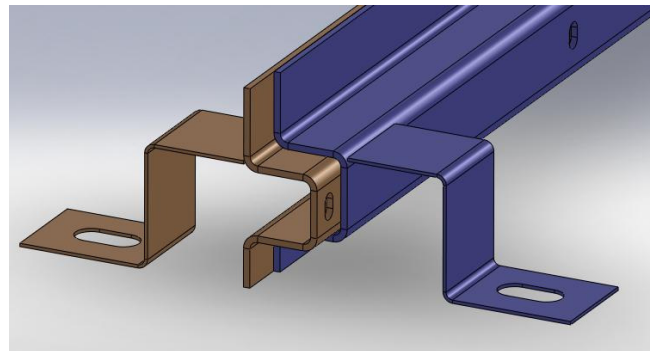
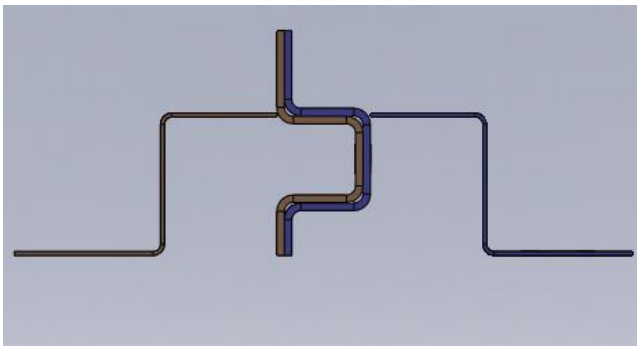


Table of Contents:

Description	3
Characteristics	4
Product overview	5

Description

The **HC-Mini Omega** construction and expansion joints are made of two folded plates in 2 or 3 mm thickness. These profiles fit together tightly due to their clever, standardised form. For anchoring into concrete, these profiles are provided with a special designed anchor system. The anchors are made of folded plates of 20 x 2 mm with a oval whole on bottom and welded each 50 cm on both sides.

The profiles are connected together using small synthetic bolts and nuts that do not need to be removed after being put in place.

The profiles are assembled with an overlap of 15mm so that the next profile can easily be connected to the previous profile during installation. The profile is made in standard lengths of 2 metres and are available in heights from 60 to 100 mm.

These profiles are especially developed as jointing solution for thin concrete floors on elevated slabs in buildings or parking lots on roofs.

Waterproof systems are also available. With waterproof solutions there is no connection with synthetic wings and nuts. The profiles are fixed together with a glue that cannot resist the contraction of the concrete during the shrinkage process. The glue will break and the horizontal spreading of the joint can go on.

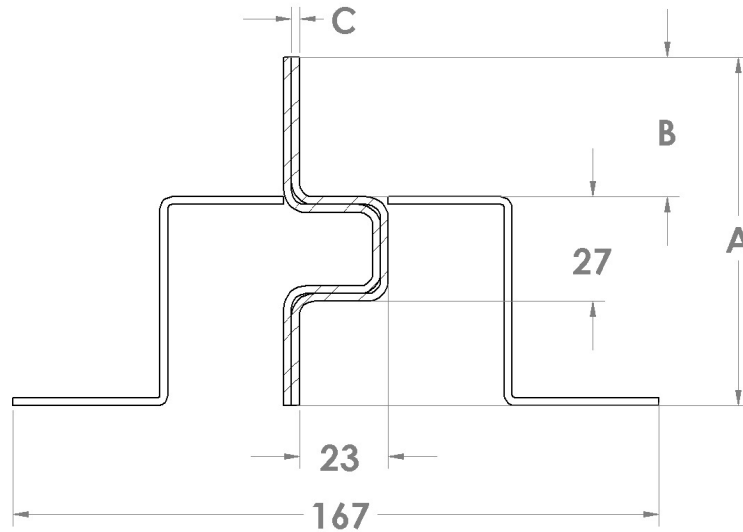
Those waterproof HC-Mini Omega expansion joints are connected on site with a watertight sticking rubber. We advice to install the waterproof solutions only with no corrosive materials like stainless steel, galvanized steel or aluminium.

Once the dilatation is stabilized it is recommended to fill up the opening gap with a watertight flexible sealant.

Characteristics

- **Free horizontal expansion and contraction** of the industrial floor. As the poured concrete dries, the inevitable contraction is taken up by the horizontal spreading of the HC-Mini Omega expansion joints. This prevents the formation of cracks as a result of the drying process. This crack formation also occurs if a hole is cut into the floor too late, which is unnecessary with the installation of these expansion joints.
- **Preventing vertical movement** The minute tolerances between the profiles and the typical Omega form connection prevent the slightest vertical movement between the separate floor sections that are created.
- **Load transfer:** The HC- Mini Omega expansion joint provides a transfer of loads from one floor section to another. This means that the floor is less subject to wear, the chance of damage is reduced, and the lifetime of the industrial floor is lengthened considerably.
- **Edge protection.** The 2 or 3 mm thick profiles generates a limited edge protection. The impact of hard little wheels of forklift traffic must be avoided. Traffic with pneumatic tyres is
- **Construction joint profile** The HC-Mini Omega expansion joints are placed according to a layout plan with limited dimensions to separate the different floor sections. We advice floor slabs 25x25 meters in order to limit the opening gap of the joints to maximum 10 mm. The sections can then be poured and finished according to the daily schedule.
- **Easy installation.** The HC – Mini Omega expansion joints are quite easy and quick to install according to the installation instructions given below in this technical documentation.
- **Waterproof solutions.** If necessary waterproof solutions are available.

Product overview



HC-Mini omega with anchor feet								
Profile height a (mm)	Floor thickness (mm)	b (mm)	c (mm)	Weight Kg/meter 2 mm Aluminium	Weight Kg/meter 3 mm Aluminium	Weight Kg/meter 2 mm Steel	Weight Kg/meter 3 mm Steel	Max metres per pallet
60	60-70	21	2 or 3	1,26	1.9	3.10	4.65	300
70	70-80	26	2 or 3	1.36	2.05	3.43	5.10	300
80	80-90	31	2 or 3	1.47	2.2	3.94	5.95	300
90	90-100	36	2 or 3	1.57	2.35	4.25	6.35	300
100	100-110	40	2 or 3	1.67	2.5	4.47	6.70	300