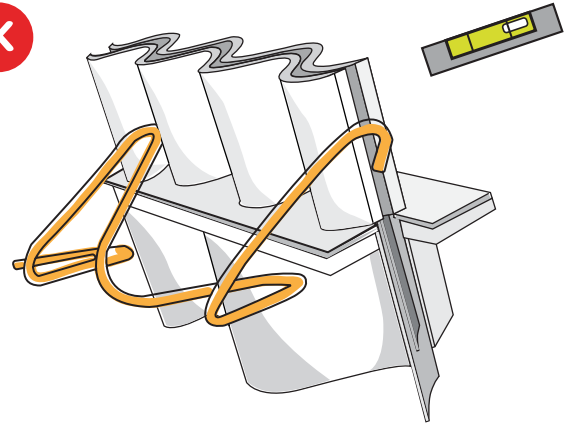
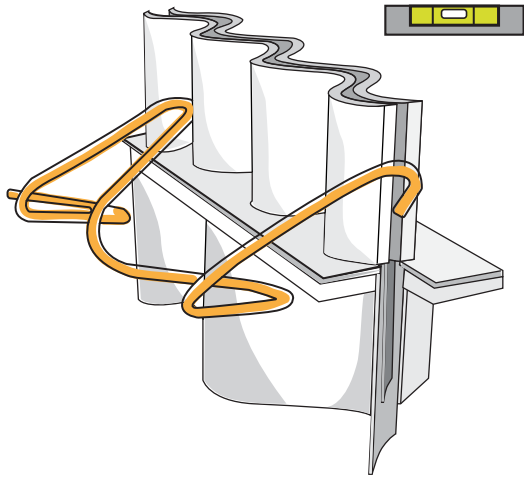
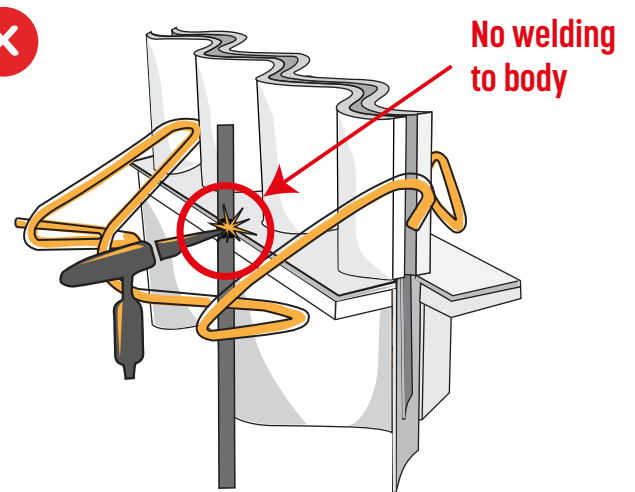
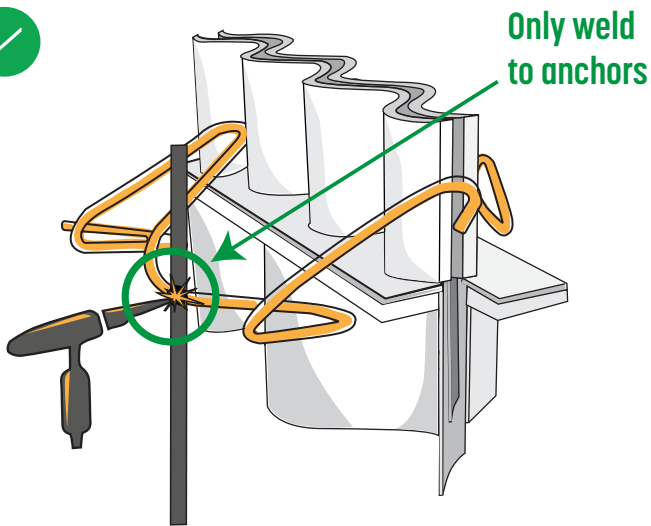




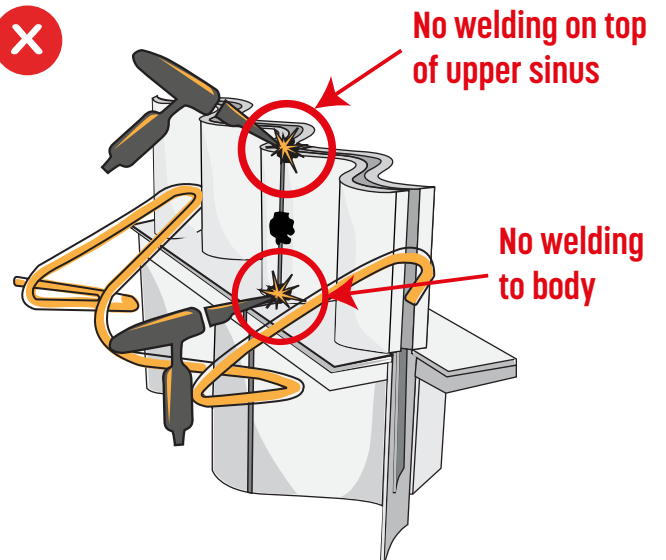
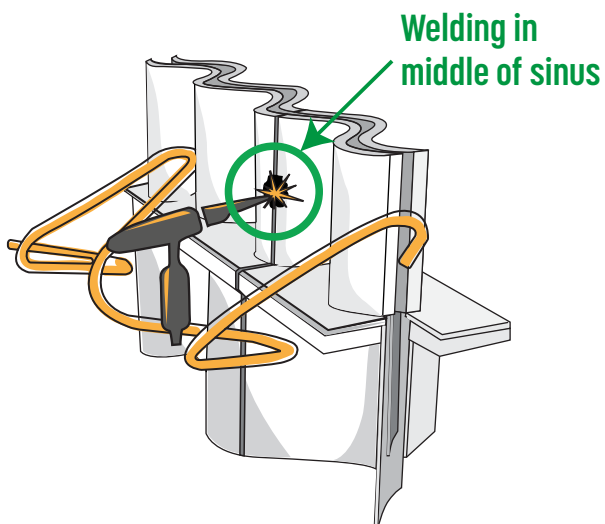
## VERTICAL PLACEMENT



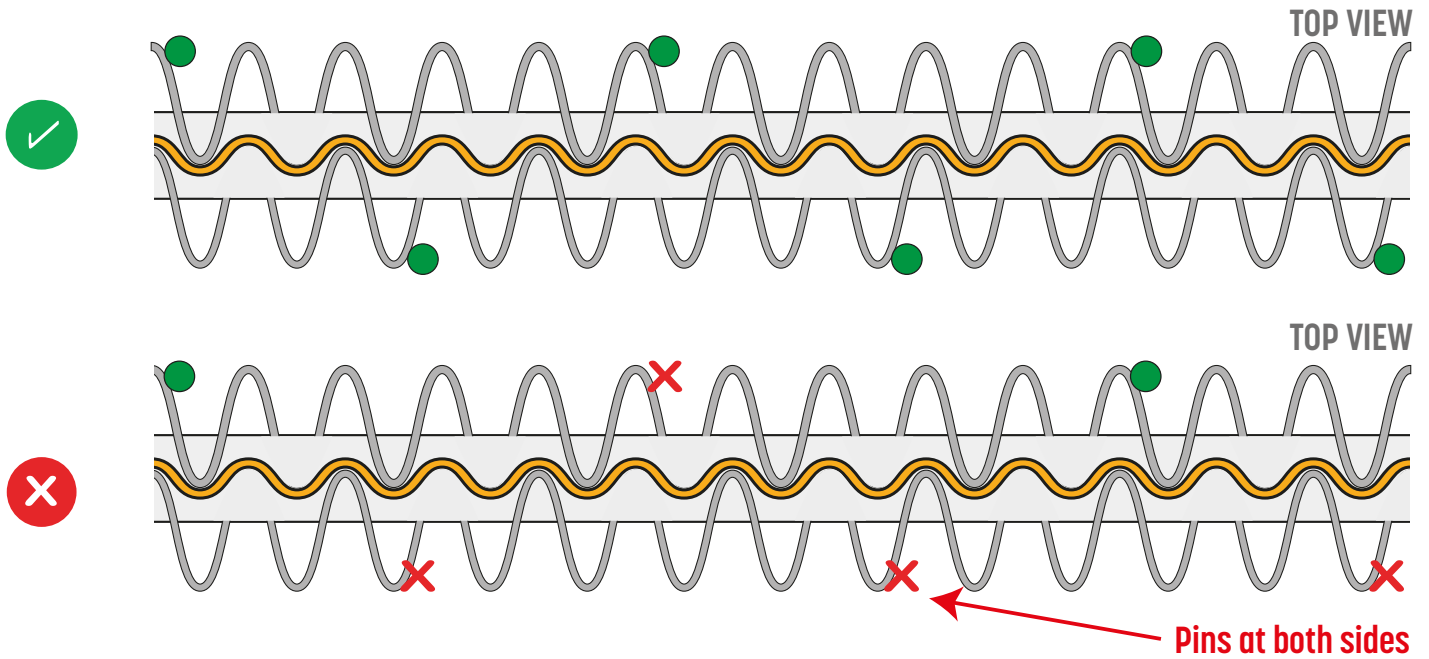
## NO WELDING TO BODY



## NO WELDING TO BODY / NO WELDING ON TOP OF UPPER SINUS



### 3 PINS LEFT + 3 PINS RIGHT (ALTERNATING)



### CONNECT IRON MESH ON TOP OF ANCHORS

