

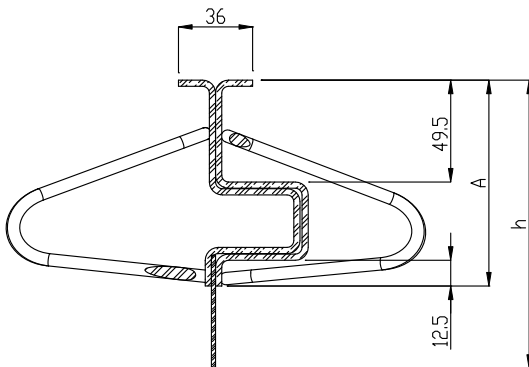
Omega 3 mm

| | |
|---------------------------|--|
| STEEL QUALITY | S250GD + ZM EN 10346 NBN A 24-302 - BE 500 TS |
| MATERIAL THICKNESS | 2 x 3 mm (2 x 3/32") |
| PROFILE LENGTH | 2,60 m (+ 5 mm / - 5 mm) (8.53 ft (+13/64" / - 13/64")) |
| JOINT OPENING | load transfer possible up to 25 mm (1") |
| ANCHORAGE | Patented, especially 3D formed rebar Ø 6 mm (15/64") as continuous anchorage |
| VERSIONS | Galvanized (zinc/aluminum/magnesium) or stainless steel 304 Not suitable for hard/solid wheel traffic |

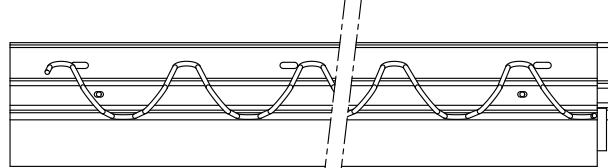


| Height A [mm] (inch) | Slab Thickness h [mm] (inch) | Weight [kg/m] (lbs/ft) | Weight [kg/pc] (lbs/pc) | Quantity [pcs/pal.] | Quantity [m/pal.] (ft/pal.) | Gross Weight [kg/pal.] (lbs/pal.) |
|-------------------------------|---------------------------------------|------------------------------|-------------------------------|------------------------|-----------------------------------|---|
| 100 (3 15/16) | 110-120 (4 21/64 - 4 23/32) | 10,12 (6.80) | 26,31 (58.00) | 6 x 8 = <u>48</u> | 124,8 (409.4) | 1340 (2955) |
| 120 (4 23/32) | 130-140 (5 1/8 - 5 33/64) | 10,67 (7.17) | 27,74 (61.16) | 6 x 8 = <u>48</u> | 124,8 (409.4) | 1410 (3110) |
| 140 (5 33/64) | 150-160 (5 29/32 - 6 19/64) | 10,98 (7.38) | 28,54 (62.92) | 6 x 7 = <u>42</u> | 109,2 (358.3) | 1275 (2815) |
| 160 (6 19/64) | 170-180 (6 11/16 - 7 3/32) | 11,29 (7.59) | 29,35 (64.71) | 6 x 6 = <u>36</u> | 93,6 (307.1) | 1135 (2505) |
| 180 (7 3/32) | 190-200 (7 31/64 - 7 7/8) | 11,60 (7.80) | 30,16 (66.49) | 6 x 6 = <u>36</u> | 93,6 (307.1) | 1165 (2570) |

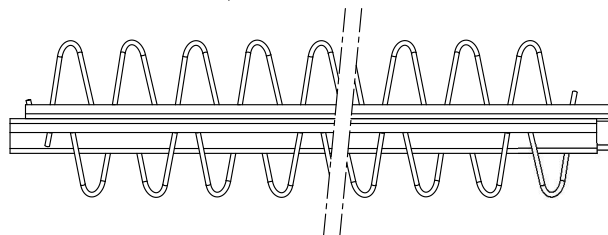
cross section



side view



top view



Document issued January 2024. Hengelhoef Concrete Joints nv. reserves the right to alter the products without notice.

©COPYRIGHT 2024 by Hengelhoef Concrete Joints nv.



HENGELHOEF
CONCRETE JOINTS

Hengelhoefstraat 158, Poort Genk 0420, B-3600 Genk
T. +32 (0)89 32 39 80 · F. +32 (0)89 32 39 88
E. info@hcjoints.be

www.hcjoints.be