

Omega 3 mm Sealed for outside applications

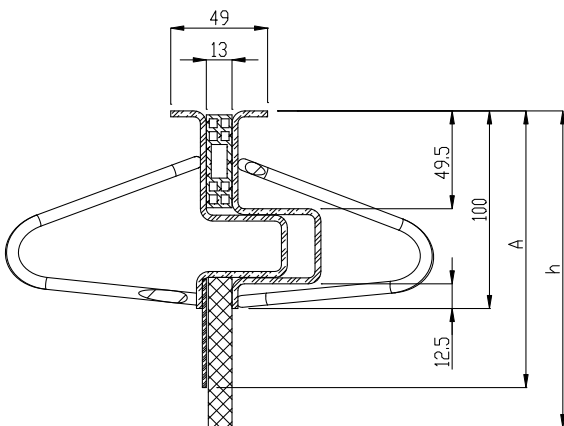


STEEL QUALITY	S250GD + ZM EN 10346 NBN A 24-302 - BE 500 TS
MATERIAL THICKNESS	2 x 3 mm (2 x 3/32")
PROFILE LENGTH	2,60 m (+ 5 mm / - 5 mm) (8.53 ft (+13/64" / - 13/64"))
JOINT OPENING	Pre-open with rubber gasket +/- 13 mm (33/64") load transfer possible up to 25 mm (1")
SEALING	Top: Permanent EPDM Rubber gasket/sealing Temperature range -40°C to 120 °C Bottom: Polyethylene foam
ANCHORAGE	Patented, especially 3D formed rebar Ø 6 mm (15/64") as continuous anchorage
VERSIONS	Galvanized (zinc/aluminum/magnesium) or stainless steel 304 Not suitable for hard/solid wheel traffic

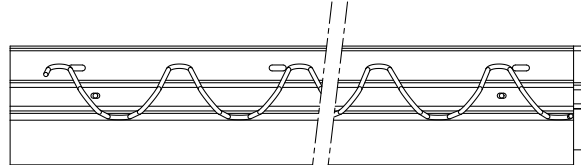
Height A [mm] (inch)	Slab Thickness h [mm] (inch)	Weight [kg/m] (lbs/ft)	Weight [kg/pc] (lbs/pc)	Quantity [pcs/pal.]	Quantity [m/pal.] (ft/pal.)	Gross Weight [kg/pal.] (lbs/pal.)
100 (3 15/16)	110-120 (4 21/64 - 4 23/32)	10,55 (7.09)	27,43 (60.47)	6 x 8 = <u>48</u>	124,8 (409.4)	1395 (3075)
120 (4 23/32)	130-140 (5 1/8 - 5 33/64)	11,10 (7.46)	28,86 (63.63)	6 x 8 = <u>48</u>	124,8 (409.4)	1460 (3220)
140 (5 33/64)	150-160 (5 29/32 - 6 19/64)	11,42 (7.67)	29,69 (65.46)	6 x 7 = <u>42</u>	109,2 (358.3)	1325 (2925)
160 (6 19/64)	170-180 (6 11/16 - 7 3/32)	11,74 (7.89)	30,52 (67.29)	6 x 6 = <u>36</u>	93,6 (307.1)	1175 (2590)
180 (7 3/32)	190-200 (7 31/64 - 7 7/8)	12,06 (8.10)	31,36 (69.14)	6 x 6 = <u>36</u>	93,6 (307.1)	1205 (2660)

Attention: The Omega 3 mm sealed is not stackable for transport.

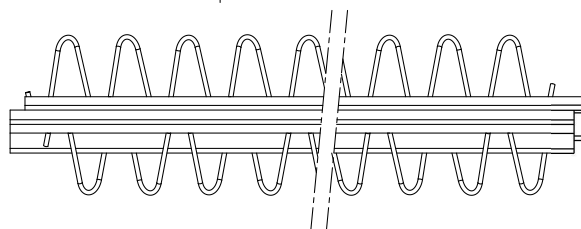
cross section



side view



top view



Document issued January 2024. Hengelhoef Concrete Joints nv. reserves the right to alter the products without notice.

©COPYRIGHT 2024 by Hengelhoef Concrete Joints nv.



HENGELHOEF
CONCRETE JOINTS

Hengelhoefstraat 158, Poort Genk 0420, B-3600 Genk
T. +32 (0)89 32 39 80 · F. +32 (0)89 32 39 88
E. info@hcjoints.be

www.hcjoints.be