

e-slide



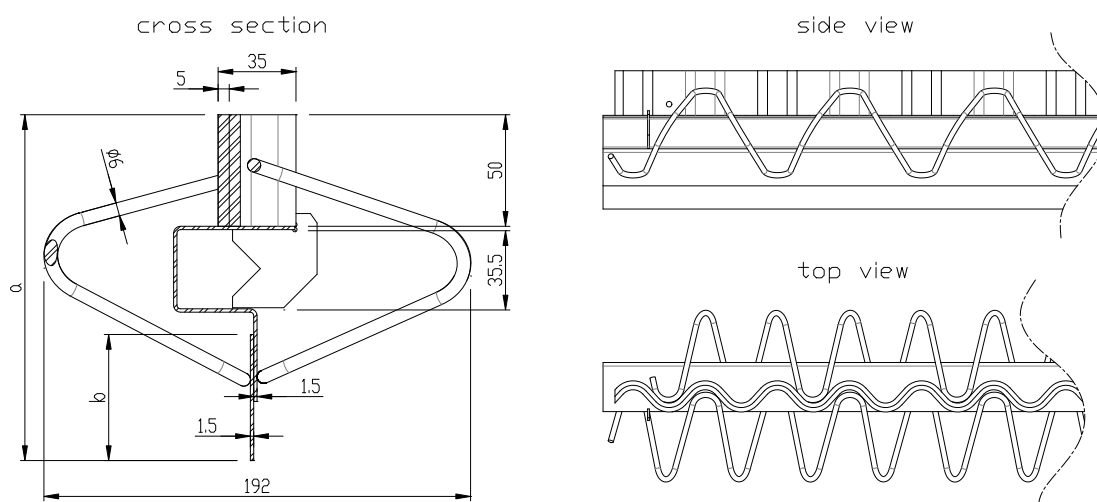
STEEL QUALITY	EN 10025-2:2004 - S235JR, cold drawn NBN A 24-302 - BE 500 TS EN 10111:2008 - DD14
MATERIAL THICKNESS	2 x 5 mm (13/64") upper Slide® waves Body 1,5 mm (1/16")
PROFILE LENGTH	2,60 m (+ 5 mm / - 10 mm) (8.53 ft +13/64" / - 25/64")
JOINT OPPENING	Optimal and recommended up to 15 mm (19/32"), load transfer possible up to 25 mm (1")
ANCHORAGE	Patented, specially 3D formed rebar \varnothing 6 mm (15/64") as continuous anchorage
VERSIONS	Natural steel / Galvanized / Stainless steel AISI 304 or AISI 316
PALLET SIZE	Length 2,60 m (8.53 ft), Width 1,15 m (3.77 ft), height see table

Height a [mm] [inch]	Slab thickness [mm] [inch]	b [mm] [inch]	Weight [kg/m] [lbs/ft]	Weight [kg/pc.] [lbs/pc.]	Quantity [pcs./pal.]	Quantity [m/pal.] [ft/pal.]	Gross weight per pal. [kg] [lbs]	Pallet Height [m] [ft]
130 (5 1/8)	140 - 150 (5 33/64 - 5 29/32)	30 (1 3/16)	8,20 (5.58)	21,32 (47.00)	7 x 8 = 56	145,6 (477.69)	1285 (2844)	1,15 (3.77)
155 (6 7/64)	160 - 180 (6 19/64 - 7 3/32)	65 (2 9/16)	8,61 (5.79)	22,39 (49.36)	7 x 7 = 49	127,4 (417.98)	1150 (2535)	1,26 (4.13)
180 (7 3/32)	190 - 200 (7 31/64 - 7 7/8)	90 (3 35/64)	8,91 (5.99)	23,16 (51.06)	7 x 6 = 42	109,2 (358.27)	1025 (2260)	1,20 (3.94)
205 (8 1/16)	210 - 230 (8 1/4 - 9 1/16)	115 (4 17/32)	9,25 (6.22)	24,06 (53.04)	6 x 7 = 42*	109,2 (358.27)	1060 (2340)	1,35 (4.43)

*The pallets of e-slide 205 and other custom heights above 180 mm are not stackable for transport!

The e-slide joint is recommended for the use in light and medium loaded floors and for floor thickness' between 140 and 230 mm (5.5" - 9 1/16"). Other heights for floor thicknesses above 230 mm (9 1/16") are available on request and function of the corresponding design check.

ATTENTION: The load transfer capacity of e-slide® is reduced when compared to Cosinus Slide®. For calculations, validations, and optimal use of the joints for your respective projects, please contact your local dealer or send a request to info@hcjoints.be.



Document issued Augsut 2023. Hengelhoef Concrete Joints nv. reserves the right to alter the products without notice.

©COPYRIGHT 2023 by Hengelhoef Concrete Joints nv.



HENGELHOEF
CONCRETE JOINTS

Hengelhoefstraat 158, Poort Genk 0420, B-3600 Genk
T. +32 (0)89 32 39 80 · F. +32 (0)89 32 39 88
E. info@hcjoints.be

www.hcjoints.be

