

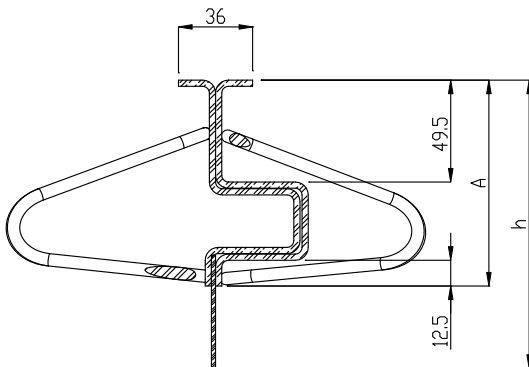
## Omega 3 mm

<b>STEEL QUALITY</b>	S250GD + ZM EN 10346 NBN A 24-302 - BE 500 TS
<b>MATERIAL THICKNESS</b>	2 x 3 mm (2 x 3/32")
<b>PROFILE LENGTH</b>	2,60 m (+ 5 mm / - 5 mm) (8.53 ft (+13/64" / - 13/64"))
<b>JOINT OPENING</b>	load transfer possible up to 25 mm (1")
<b>ANCHORAGE</b>	Patented, especially 3D formed rebar Ø 6 mm (15/64") as continuous anchorage
<b>VERSIONS</b>	Galvanized (zinc/aluminum/magnesium) or stainless steel 304 Not suitable for hard/solid wheel traffic

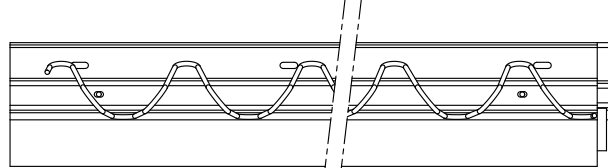


Height A [mm] (inch)	Slab Thickness h [mm] (inch)	Weight [kg/m] (lbs/ft)	Weight [kg/pc] (lbs/pc)	Quantity [pcs/pal.]	Quantity [m/pal.] (ft/pal.)	Gross Weight [kg/pal.] (lbs/pal.)
100 (3 15/16)	110-120 (4 21/64 - 4 23/32)	10,12 (6.80)	26,31 (58.00)	6 x 8 = <u>48</u>	124,8 (409.4)	1340 (2955)
120 (4 23/32)	130-140 (5 1/8 - 5 33/64)	10,67 (7.17)	27,74 (61.16)	6 x 8 = <u>48</u>	124,8 (409.4)	1410 (3110)
140 (5 33/64)	150-160 (5 29/32 - 6 19/64)	10,98 (7.38)	28,54 (62.92)	6 x 7 = <u>42</u>	109,2 (358.3)	1275 (2815)
160 (6 19/64)	170-180 (6 11/16 - 7 3/32)	11,29 (7.59)	29,35 (64.71)	6 x 6 = <u>36</u>	93,6 (307.1)	1135 (2505)
180 (7 3/32)	190-200 (7 31/64 - 7 7/8)	11,60 (7.80)	30,16 (66.49)	6 x 6 = <u>36</u>	93,6 (307.1)	1165 (2570)

cross section



side view



top view

